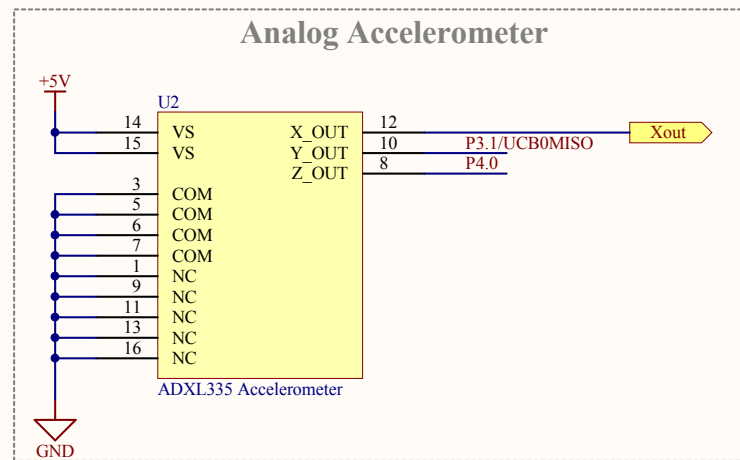
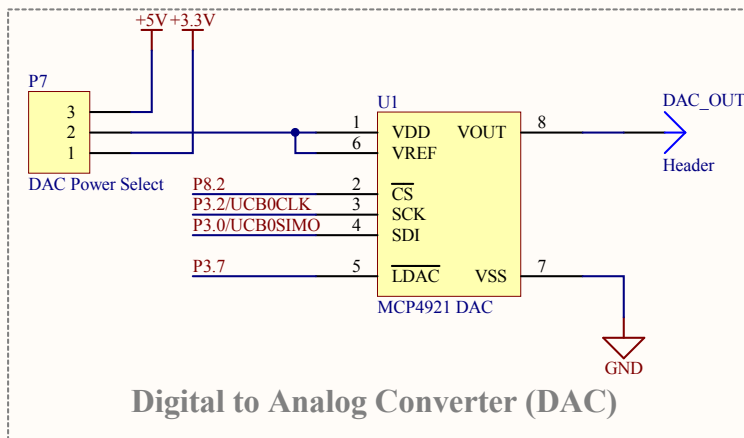
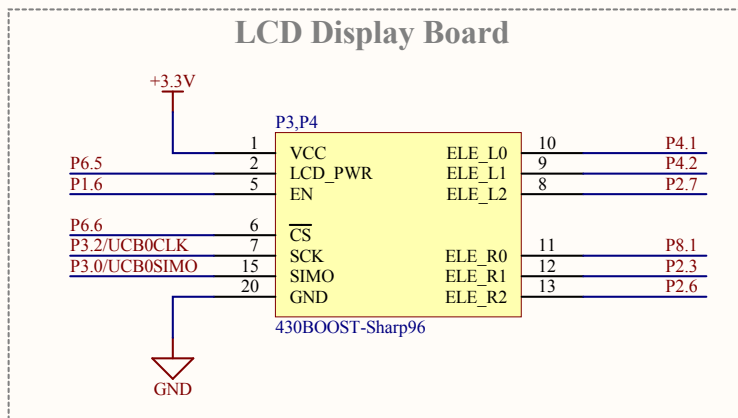


Title MSP430 Expansion Board		
Size A	Number Main - Buttons & LEDs	Revision HW Rev 2.0 Schematic Rev A
Date:	1/26/2016	Sheet 1 of 2
File:	R:\ece mdrive\...\mep430 exp main.SchDoc Drawn By: N. DeMarinis	



Title		
MSP430 Expansion Board		
Size	Number	Revision
A	Peripherals	HW Rev 2.0 Schematic Rev A
Date:	1/26/2016	Sheet 2 of 2
File:	R:\ece mdrive\msp430 exp periph.SchDoc	
	Drawn By: N. DeMarinis	